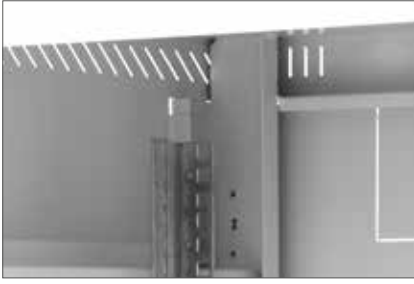




RPA

RPA

Cabinet for industrial applications – removable sections, suitable for computer installations, IP20, capacity 400 kg



■ Cooling perforation

The RPA cabinet has a perforated top and base for natural air intake. There is a breakout opening on the roof for fan unit installation to support the cooling of installed technology.



■ Flexible door opening

The hinge system allows the door to open almost 180°. The door can be easily removed and re-mounted to change the direction of opening.



■ Triton handles

We manufacture our own handles for the free-standing cabinets. By changing the plastic module (not included), a traditional or half-cylindrical lock insert can be used. Patent: PUV 2013-27443



■ Adjustable vertical rails

Vertical 19" rails can be adjusted freely in any depth of the cabinet. This simplifies mounting of devices and configuration of connecting cables.

■ RPA with IP20 protection

has a perforation in the base and top part including cable entries and preparations for fan units.



■ Three independently lockable sections

RPA cabinet has three independently lockable sections. The upper and bottom section are locked by a Triton handle-lock; the slide-out middle section, intended for a keyboard and a mouse, has a single point lock. All sections in the standard version are operated by the same key.

RPA

Type	A	C	D	E	Weight gross (kg)	Weight net (kg)	Maximum recommended load (kg)	IP protection
	(mm)							
RPA-37-A66-CAX-A1	1750	487	600	600	75,6	68,5	400	20
RPA-37-A68-CAX-A1	1750	487	600	800	83,6	77,8	400	20



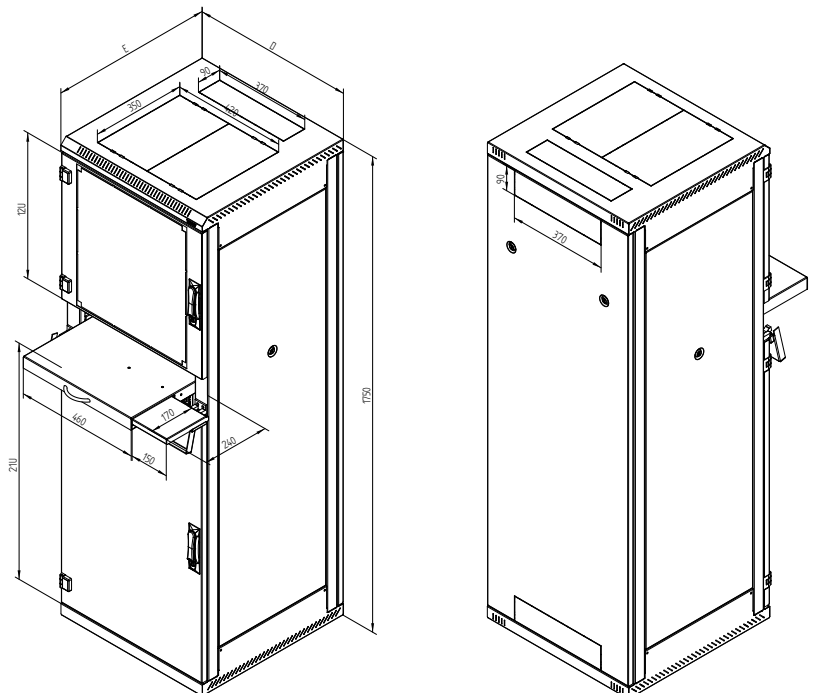
RPA



■ Slide-out section for a keyboard and a mouse



■ Castors, levelling feet
Prepared for mounting castors and levelling feet. Levelling feet are part of the cabinet supply.



Free-standing cabinet RPA

Description, purpose of use

- 19" free-standing cabinet with protection IP20
- Cabinet includes 4 sliding vertical rails for installing the device
- Cabinet construction:
 - Welded steel frame with removable side panels
 - Single doors in all metal versions or glazed with safety tempered glass 4 mm are mounted on the front of cabinet.
- Max. permissible load of the door is 20 kg.
- Min. thickness of the surface finish is 65 µm.
- These cabinets are intended for installation of data and telecommunication devices and their distribution systems and control elements of technological units
- The frame of the cabinet and all the removable parts (side and rear covers, doors...) are bonded with cables that have to be properly fixed and inserted into connectors throughout the period of use of the cabinet.
- There is one M8 screw placed on the bottom part of the cabinet to connect the bonding.
- Cable entry openings covered with breakout-type blanking panels are placed in the top and the bottom of the cabinet.

Operating conditions

- Operating environment:
 - Office
 - The cabinet is not intended for outdoor installations and for installations in environment that can influence negatively the functionality of the cabinet and the mounted devices (e.g. environment with danger of explosion or humid and wet surroundings)
- Must be protected against:
 - Mechanical damage
 - Improper handling
 - A different usage than the cabinet is intended for
- Improper handling is especially:
 - Overloading (exceeding the maximum recommended load)
 - Installing devices which may negatively influence the operation and function of the cabinet or the installed equipment.
 - Change of the construction or design of the cabinet

Installation of the cabinet

- To ensure the maximum recommended load, it is necessary to distribute the load equally.
- Place the cabinet on a flat floor and adjust any differences using the levelling feet.
- To avoid dust penetration in a case where cables lead through some of the cable openings, it is possible to seal it using a blanking panel with a brush and secured by the fringe edge (included with delivery)

Environmental protection

- All parts are made of recyclable materials and after decommissioning the cabinet, it must be disposed of according to relevant regulations

Certificate and conformity

- This product is fully in accordance with ČSN EN 62208 ed 2:2012.